

# UNITEQ

*your solution partner*

Version 2022.v01 EN

## **ACTUATOR CONTROL MANIFOLD** *diaphragm and piston valve actuators*



UniteQ Engineering B.V.  
Oude Graaf 18  
6002 NL Weert NL  
Tel: +31(0)495-524565  
e-mail: [info@uniteq.nl](mailto:info@uniteq.nl)  
[www.uniteqhydraulics.com](http://www.uniteqhydraulics.com)



## Pneumatic control manifolds UGP1 G1 range

### Pneumatic control manifolds for single and double acting pneumatic diaphragm and piston actuators

#### Introduction

Selecting and fitting a pneumatic control on your actuator has never been so simple with the UniteQ modular control manifold. This innovative manifold has nothing but benefits for you. With this simple application, you will save time and cut costs in your production environment. We have listed the benefits for you so you can judge for yourself whether it makes sense to use the this product.

#### General

- suitable for double (DA) and single (SA) acting actuators
- operating the modulating, open and/or close function
- available in fail safe close, open or lock-up function
- design available with SIL and/or PED validation
- suitable for ATEX implementation

#### Your benefits

- compact and recognizable design
- *reduced components (piping and couplings) and assembly hours in workshop*
- *executable with solenoid valve at your requirement*
- *improved weight and space specification of your actuator*
- *reduced number of potential leaking points, resulting in energy saving and less down time for minor repairs*
- *produced in an energy neutral environment*

#### Setup

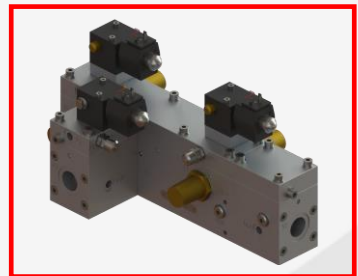
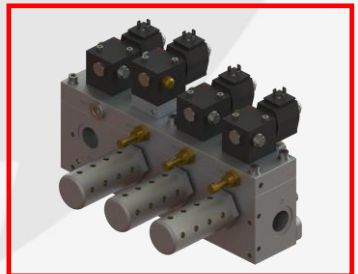
- *modular design with aluminium anodized housing*
- *standard booster and lock-up connection are prepared*
- *standard measurement connections prepared*
- *standard executed with Norgren solenoid valve 24VDC*
- *optional you can execute with a solenoid valve at your requirement*
- *on request available with a flow up to 30.000l/min (G1½ and G2)*

#### Functions

- *Modulating (MO) / open/close (O/C) / Lock-up (LU)*
- *Fail safe - Close (FSC) - Open (FSO) - Lock-up (FSH)*

#### Performance

- *Flow up to 8.000 l/min*



## Pneumatic control manifolds UGP1 G1 range

### Program UGP1 G1 range

<i>Article description</i>	<i>Function(s)</i>	<i>Article nr.</i>	<i>model</i>
Pneumatic manifold G1-1003-MO 2xNC 1xNO Suitable for SA actuator / TRD421/EN12952-10	MO or O/C FSC or FSO	UGP100057-24VDC UGP100057-230VAC	
Pneumatic manifold G1-1003-MO 1xNC 2xNO Suitable for SA actuator / TRD421/EN12952-10	MO or O/C FSC or FSO	UGP100060-24VDC UGP100060-230VAC	
Pneumatic manifold G1-MO 1xNC Suitable for SA actuator with fail safe open/close function	MO or O/C FSC or FSO	UGP100062-24VDC UGP100062-230VAC	
Pneumatic manifold G1-MO 2xNC-O/C 1xNC Suitable for SA actuator with open/close function and fail safe open close/function	MO O/C FSC or FSO	UGP100063-24VDC UGP100063-230VAC	
Pneumatic manifold G1-1003-MO 3xNC Suitable for SA actuator / TRD421/EN12952-10	MO or O/C FSC or FSO	UGP100064-24VDC UGP100064-230VAC	
Pneumatic manifold G1-MO 1xNC-O/C 1xNC Suitable for DA actuator with fail safe close/open function	MO O/C FSC or FSO	UGP100065-24VDC UGP100065-230VAC	
Pneumatic manifold G1-1003-MO 3xNC-O/C 1xNC Suitable for SA actuator / TRD421/EN12952-10	MO O/C FSC or FSO	UGP100066-24VDC UGP100066-230VAC	
Pneumatic manifold G1-1003-MO 2xNC 1x NO-O/C 1xNC Suitable for SA actuator / TRD421/EN12952-10	MO O/C FSC or FSO	UGP100074-24VDC UGP100074-230VAC	
Pneumatic manifold G1-MO 1xNC-O/C 1xNC Suitable for DA actuator with fail safe close/open function	MO O/C FSC or FSO	UGP100083-24VDC UGP100083-230VAC	
Pneumatic manifold G1-MO 1xNO-O/C 1xNO-LU 1xNC Suitable for DA actuator with fail safe lock-up function	MO O/C FSH	UGP100086-24VDC UGP100086-230VAC	

If you like more information or a non-binding quote, please contact our sales department. They are eager to help you with an offer after your desires.

Our sales contact are:  
Phone: +31 49-524565  
Email: [sales@uniteq.nl](mailto:sales@uniteq.nl)




UniteQ Engineering B.V.  
Oude Graaf 18  
6002 NL Weert NL  
Tel: +31(0)495-524565  
e-mail: [info@uniteq.nl](mailto:info@uniteq.nl)  
[www.uniteqhydraulics.com](http://www.uniteqhydraulics.com)



## Pneumatic control manifolds UGP1 G1 range

### Program UGP1 G1 range

<i>Article description</i>	<i>Function(s)</i>	<i>Article nr.</i>	<i>model</i>
Pneumatic manifold G1-O/C 1xNC-LU 1xNC Suitable for DA actuator with fail safe lock-up function	O/C FSH	UGP100100-24VDC UGP100100-230VAC	

If you like more information or a non-binding quote, please contact our sales department. They are eager to help you with an offer after your desires.

UniteQ Engineering B.V.  
Oude Graaf 18  
6002 NL Weert NL  
Tel: +31(0)495-524565  
e-mail: [info@uniteq.nl](mailto:info@uniteq.nl)  
[www.uniteqhydraulics.com](http://www.uniteqhydraulics.com)



Our sales contact are  
Phone: +31 49-524565  
Email: [sales@uniteq.nl](mailto:sales@uniteq.nl)







# UGP100100

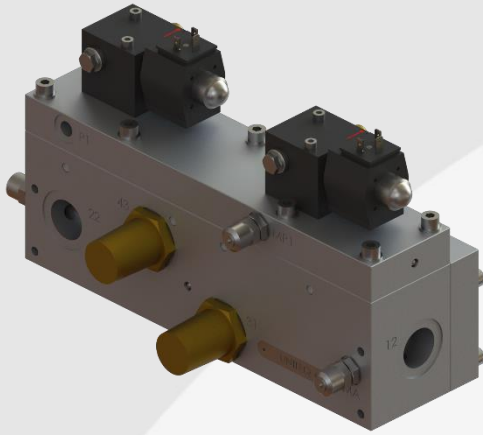
**UNITEQ BV**

Oude Graaf 18, 6002 NL, Netherlands  
T. +31 495 52 45 65  
E. sales@unieq.nl

Version 2022.v01 EN

## Pneumatic manifold G1-O/C 1xNC-LU 1xNC

### Image

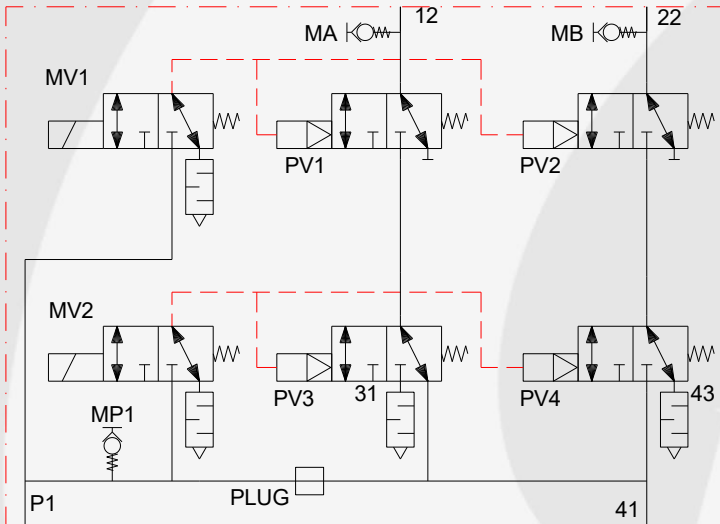


### Technical features

- Suitable for double acting (DA) actuator
- Fail safe lock-up function (1x NC, power/signal loss)
- Open or close O/C (1x NC) function
- Stay put function LU (1x NC) function
- SIL2 certified according to IEC 61508
- Operation pressure 0...10 bar (0...145psi)
- Operation temperature -25°C -13°F / +70°C +158°F
- Supplied medium air, filtered non-lubricated and dry
- Equipped with prepared lock-up valve connection (P/P1)
- ATEX implementation suitable

### Symbol

### Technical data



#### Sizes & selection

12/22	Port size		Max flow			Model
	31/41/43	P1	ltr/min	CV	(kg)	
G1	G1	G1/4	8.000	...	8.9	UGP100100

#### Configuration

Function O/C (1x NC "MV2")  
LU (1x NC "MV1")

#### Connections

Port (12/22) supply actuating  
Port (31/43) release  
Port (P1) external supply solenoid valve  
Port (41) supply to open or close  
MA/MB/MP1 measurement connection

#### Electric

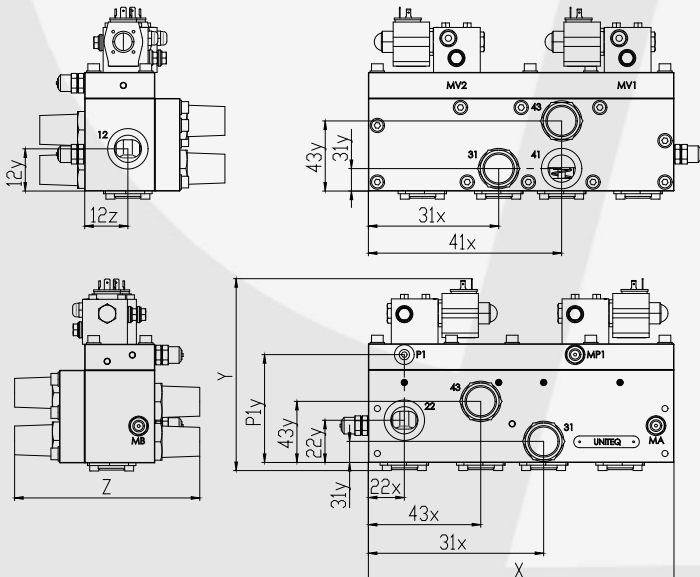
Power consumption solenoid valve (MV1/MV2):  
16.9 W, 24 VDC, 703 mA, IP65.  
17.3 VA 230 VAC, 75 mA IP67.

#### Order codes:

UGP100100-24VDC or UGP100100-230VAC

### Drawing

### Sizes



#### Dimensions

12	22	31	43	41	MA	MB	P1	MP1
G1	G1	G1	G1	G1	G1/4	G1/4	G1/4	G1/4
PLUG	12y	12z	31y	31x	43y	22y	22x	41x
G1/8	47	48	25	195	78	47	40	215
43x	P1y	X	Y	Z				
125	120	340	214	206				

#### Support connection manifold

4 times holes M8, depth 12mm

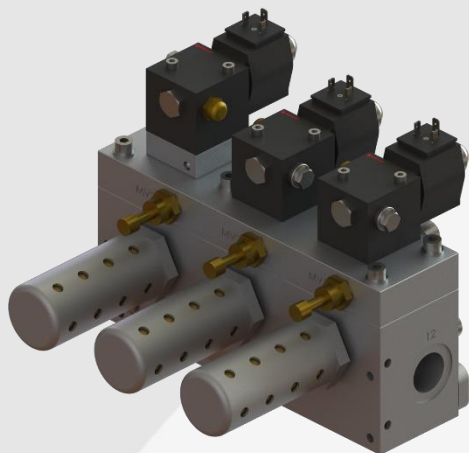
#### Material

Housing Aluminium anodize  
Internal parts Stainless steel, Brass, POM  
Seals NBR / PUR

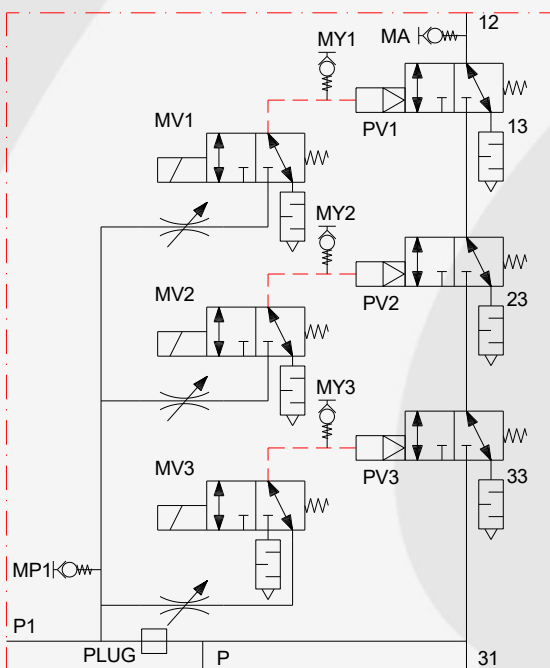


## Pneumatic manifold G1-1oo3-MO 2xNC 1xNO

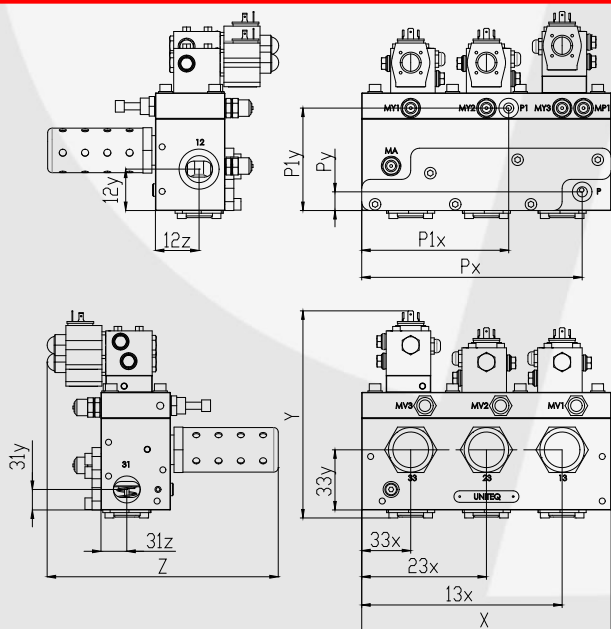
### Image



### Symbol



### Drawing



### Technical features

- Suitable for single acting (SA) actuator
- Fail safe open/close function, 1oo3 (1x NC, 2x NO, power/signal loss)
- Modulating MO or open close O/C (1x NC, 2x NO) function
- SIL3 certified according to IEC 61508
- Suitable for EN1295-10 (TRD421)
- Internal connection prepared for lock-up function
- Operation pressure 0...10 bar (0...145psi)
- Operation temperature -25°C -13°F / +70°C +158°F
- Supplied medium air, filtered non-lubricated and dry
- Equipped with prepared lock-up valve connection (P/P1)
- ATEX implementation suitable

### Technical data

#### Sizes & selection

Port size	Max flow ltr/min	Model				
			12/31	13/23/33	P/P1	CV
G1	8.000	UGP100057	...	9.9		

#### Configuration

Function: MO or O/C (2x NC, "MV1/MV2", 1x NO "MV3")

#### Connections

Port (31): main supply connection  
 Port (P & P1): external supply solenoid valve  
 Port (12): supply to actuating  
 Port (13/23/33): release  
 MA/MP1/MY: measurement connection

#### Electric

Power consumption solenoid valves (MV1/MV2/MV3):  
 16.9 W, 24 VDC, 703 mA, IP65.  
 17.3 VA, 230 VAC, 75 mA, IP67.

#### Order codes:

UGP100057-24VDC or UGP100057-230VAC

### Sizes

#### Dimensions

12	13	23	31	33	P	P1
G1	G1	G1	G1	G1	G1/4	G1/4
MA	MY	MP1	PLUG	12y	12z	31y
G1/4	G1/4	G1/4	G1/8	47	49	23
31z	P1y	Py	P1x	Px	33y	33x
29	115	21	165	248	68	55
23x	13x	X	Y	Z		
140	225	280	223	258		

#### Support connection manifold

4 times holes M8, depth 12mm

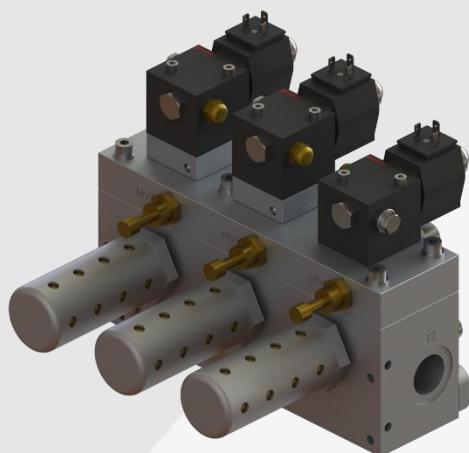
#### Material

Housing: Aluminium anodize  
 Internal parts: Stainless steel, Brass, POM  
 Seals: NBR / PUR

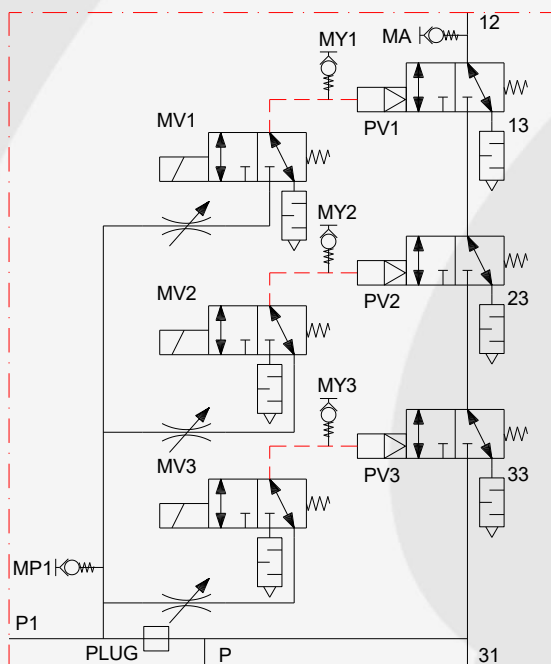


## Pneumatic manifold G1-1oo3-MO 1xNC 2xNO

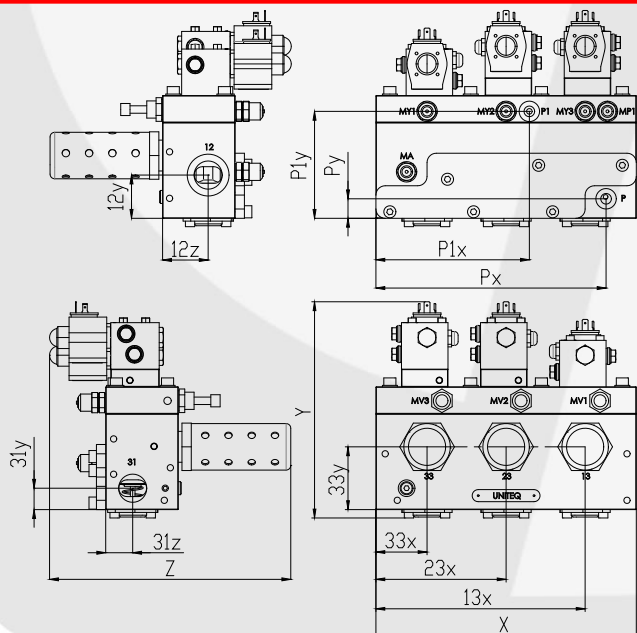
### Image



### Symbol



### Drawing



### Technical features

- Suitable for single acting (SA) actuator
- Fail safe open/close function, 1oo3 (1x NC, 2x NO, power/signal loss)
- Modulating MO or open close O/C (1x NC, 2X NO) function
- SIL3 certified according to IEC 61508
- Suitable for EN1295-10 (TRD421)
- Internal connection prepared for lock-up function
- Operation pressure 0...10 bar (0...145psi)
- Operation temperature -25°C -13°F / +70°C +158°F
- Supplied medium air, filtered non-lubricated and dry
- Equipped with prepared lock-up valve connection (P/P1)
- ATEX implementation suitable

### Technical data

#### Sizes & selection

Port size		P/P1	Max flow		Model
12/31	13/23/33		ltr/min	CV (kg)	
G1	G1	G1/4	8.000	.. 9.9	UGP100060

#### Configuration

Function: MO or O/C (1x NC "MV1", 2x NO "MV2/MV3")

#### Connections

Port (31): main supply connection  
 Port (P/P1): external supply solenoid valve  
 Port (12): supply to actuating release  
 Port (13/23/33): measurement connection

#### Electric

Power consumption solenoid valves (MV1/MV2/MV3):  
 16.9 W, 24 VDC, 703 mA, IP65.  
 17.3 VA, 230 VAC, 75 mA, IP67.

#### Order codes:

UGP100060-24VDC or UGP100060-230VAC

### Sizes

#### Dimensions

12	13	23	31	33	P	P1
G1	G1	G1	G1	G1	G1/4	G1/4
MA	MY	MP1	PLUG	12y	12z	31y
G1/4	G1/4	G1/4	G1/8	47	49	23
31z	P1y	Py	P1x	Px	33y	33x
29	115	21	165	248	68	55
23x	13x	X	Y	Z		
140	225	280	223	258		

#### Support connection manifold

4 times holes M8, depth 12mm

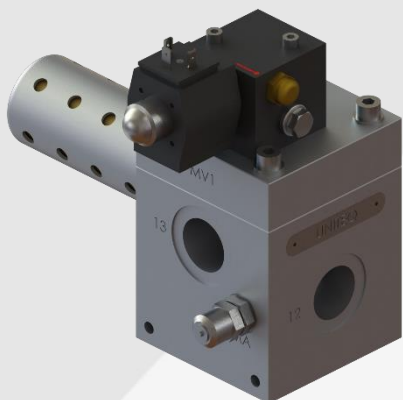
#### Material

Housing: Aluminium anodize  
 Internal parts: Stainless steel, Brass, POM  
 Seals: NBR / PUR

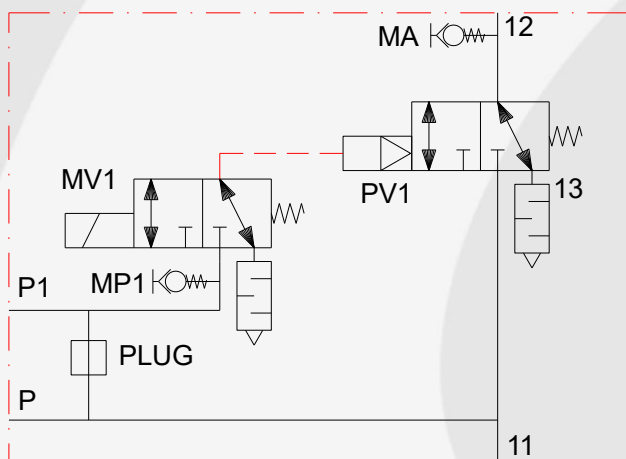


## Pneumatic manifold G1-MO 1xNC

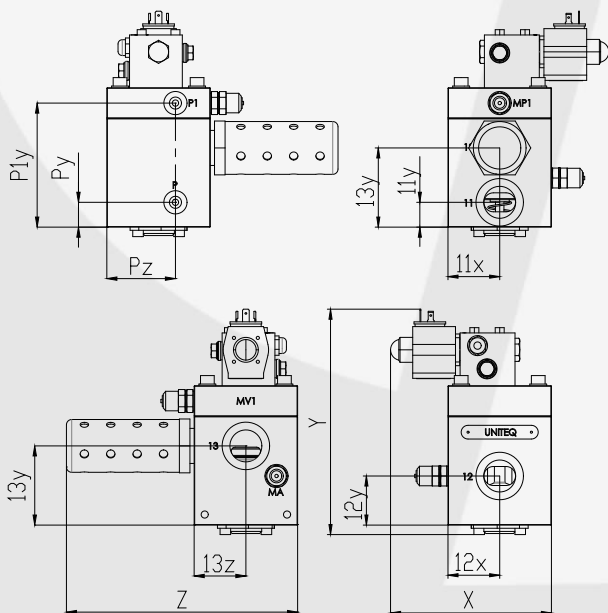
### Image



### Symbol



### Drawing



### Technical features

- Suitable for single acting (SA) actuator
- Fail safe open/close function (1x NC, power/signal loss)
- Modulating MO or open close O/C (1x NC) function
- Internal connection prepared for lock-up function
- SIL2 certified according to IEC 61508
- Operation pressure 0...10 bar (0...145psi)
- Operation temperature -25°C -13°F / +70°C +158°F
- Supplied medium air, filtered non-lubricated and dry
- Equipped with prepared lock-up valve connection (P/P1)
- ATEX implementation suitable

### Technical data

#### Sizes & selection

Port size		P/P1	Max flow		Model	
11/12	13		ltr/min	CV (kg)		
G1	G1	G1/4	8.000	...	4,2	UGP100062

#### Configuration

Function MO or O/C (1x NC "MV1")

#### Connections

Port (11) main supply connection  
 Port (P/P1) external supply solenoid valve  
 Port (12) supply to actuating  
 Port (13) release  
 MA/MP1 measurement connection

#### Electric

Power consumption solenoid valve (MV1):

16.9 W,	24 VDC,	703 mA,	IP65.
17.3 VA	230 VAC,	75 mA	IP67.

#### Order codes:

UGP100062-24VDC or UGP100062-230VAC

### Sizes

#### Dimensions

11	12	13	P	P1	MA	MP1
G1	G1	G1	G1/4	G1/4	G1/4	G1/4
PLUG	P1y	Py	Pz	13y	11y	11x
G1/8	116	24	65	76	24	49
13z	12x	12y	X	Y	Z	
49	49	47	152	203	219	

#### Support connection manifold

2 times holes M8, depth 12mm

#### Material

Housing Aluminium anodize  
 Internal parts Stainless steel, Brass, POM  
 Seals NBR / PUR





# UGP100063

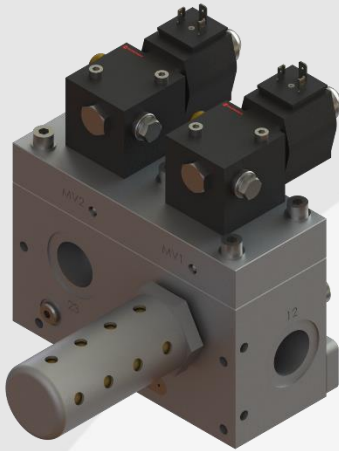
**UNITEQ BV**

Oude Graaf 18, 6002 NL, Netherlands  
T. +31 495 52 45 65  
E. sales@uniteq.nl

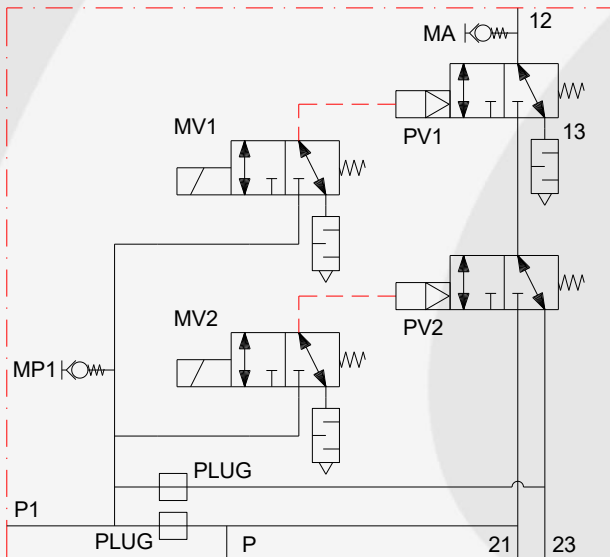
Version 2022.v01 EN

## Pneumatic manifold G1-MO 2xNC-O/C 1xNC

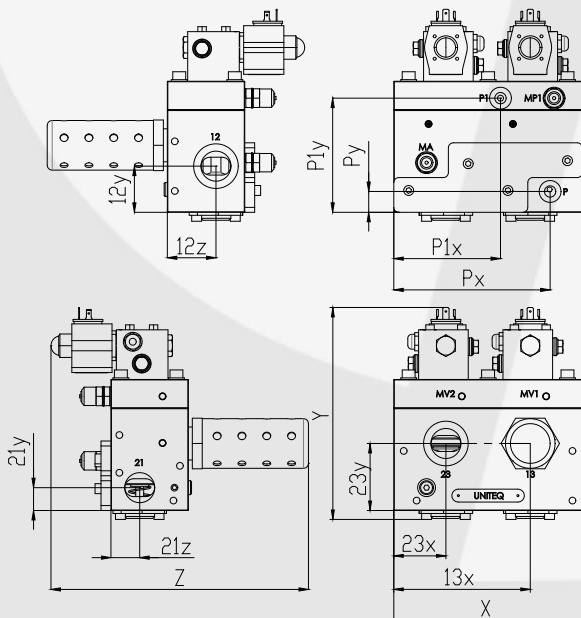
### Image



### Symbol



### Drawing



### Technical features

- Suitable for single acting (SA) actuator
- Fail safe open/close function (1x NC, power/signal loss)
- Open close (O/C 1x NC) function
- Modulating (MO 2x NC) function
- SIL2 certified according to IEC 61508
- Open close function (O/C 1x NC)
- Internal connection prepared for lock-up function
- Operation pressure 0...10 bar (0...145psi)
- Operation temperature -25°C -13°F / +70°C +158°F
- Supplied medium air, filtered non-lubricated and dry
- Equipped with prepared lock-up valve connection (P/P1)
- ATEX implementation suitable

### Technical data

#### Sizes & selection

Port size			Max flow		Model	
21/22	13/23	P/P1	ltr/min	CV	(kg)	
G1	G1	G1/4	8.000	...	6.2	UGP100063

#### Configuration

Function MO (2x NC "MV1/MV2")  
O/C (1x NC "MV1")

#### Connections

Port (21/23) main supply connection  
 Port (P/ P1) external supply solenoid valve  
 Port (12) supply to actuating  
 Port (13) release  
 MA/MP1 measurement connection

#### Electric

Power consumption solenoid valve (MV1/MV2):  
 16.9 W, 24 VDC, 703 mA, IP65.  
 17.3 VA 230 VAC, 75 mA IP67.

#### Order codes:

UGP100063-24VDC or UGP100063-230VAC

### Sizes

#### Dimensions

13	21	12	23	P	P1	MA
G1	G1	G1	G1	G1/4	G1/4	G1/4
MP1	PLUG	12z	P1y	Py	P1x	Px
G1/4	G1/8	49	115	21	108	158
21y	23y	23x	13x	21z	12y	
23	76	52	138	29	47	
X	Y	Z				
190	203	262				

#### Support connection manifold

4 times holes M8, depth 12mm

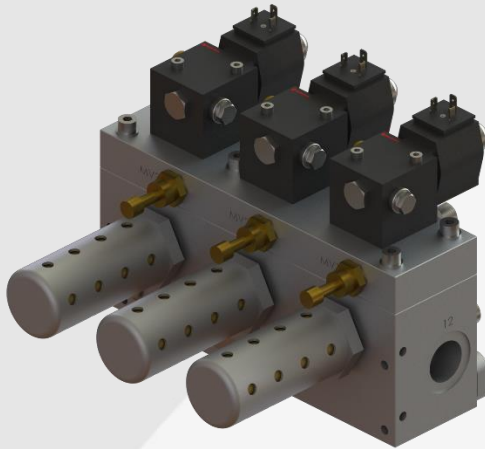
#### Material

Housing Aluminium anodize  
 Internal parts Stainless steel, Brass, POM  
 Seals NBR / PUR

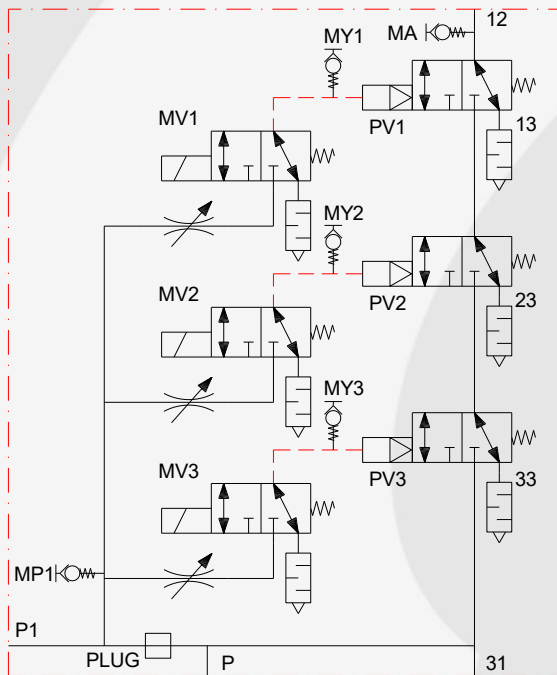


## Pneumatic manifold G1-1003-MO 3xNC

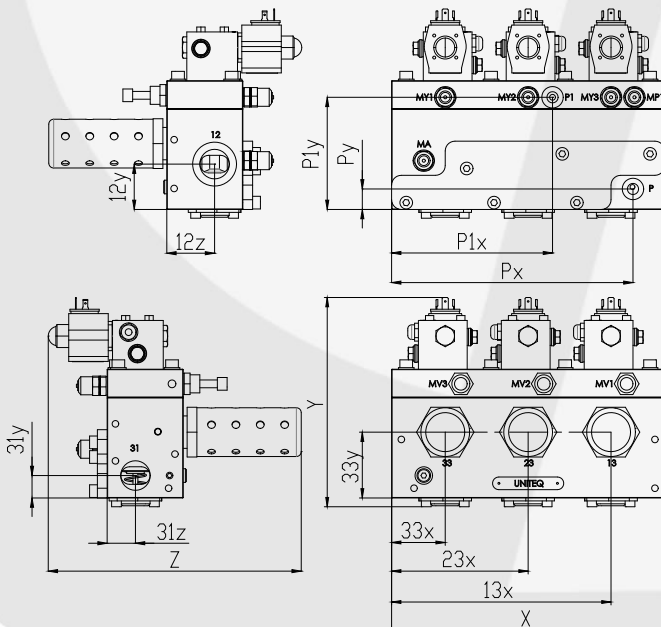
### Image



### Symbol



### Drawing



### Technical features

- Suitable for single acting (SA) actuator
- Fail safe open/close function, 1003 (3x NC, power/signal loss)
- Modulating MO or open close O/C (3x NC) function
- SIL3 certified according to IEC 61508
- Suitable for EN1295-10 (TRD421)
- Internal connection prepared for lock-up function
- Operation pressure 0...10 bar (0...145psi)
- Operation temperature -25°C -13°F / +70°C +158°F
- Supplied medium air, filtered non-lubricated and dry
- Equipped with prepared lock-up valve connection (P/P1)
- ATEX implementation suitable

### Technical data

#### Sizes & selection

Port size	Max flow ltr/min	CV	(kg)	Model	
					12/31
G1	G1	G1/4	8.000	... 9.9	UGP100064

#### Configuration

Function MO or O/C (3x NC "MV1/MV2/MV3")

#### Connections

Port (31) main supply connection  
 Port (P/ P1) external supply solenoid valve  
 Port (12) supply to actuating  
 Port (13/23/33) release  
 MA/MP1/MY measurement connection

#### Electric

Power consumption solenoid valves (MV1/MV2/MV3):  
 16.9 W, 24 VDC, 703 mA, IP65.  
 17.3 VA 230 VAC, 75 mA IP67.

#### Order codes:

UGP100064-24VDC or UGP100064-230VAC

### Sizes

#### Dimensions

12	13	23	31	33	P	P1
G1	G1	G1	G1	G1	G1/4	G1/4
MA	MY	MP1	PLUG	12y	12z	31y
G1/4	G1/4	G1/4	G1/8	47	49	23
31z	P1y	Py	P1x	Px	33y	33x
29	115	21	165	248	68	55
23x	13x	X	Y	Z		
140	225	280	203	258		

#### Support connection manifold

4 times holes M8, depth 12mm

#### Material

Housing Aluminium anodize  
 Internal parts Stainless steel, Brass, POM  
 Seals NBR / PUR





# UGP100065

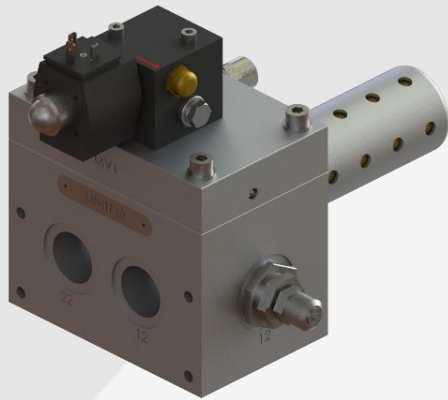
**UNITEQ BV**

Oude Graaf 18, 6002 NL, Netherlands  
T. +31 495 52 45 65  
E. sales@unieq.nl

Version 2022.v01 EN

## Pneumatic manifold G1-MO 1xNC-O/C 1xNC

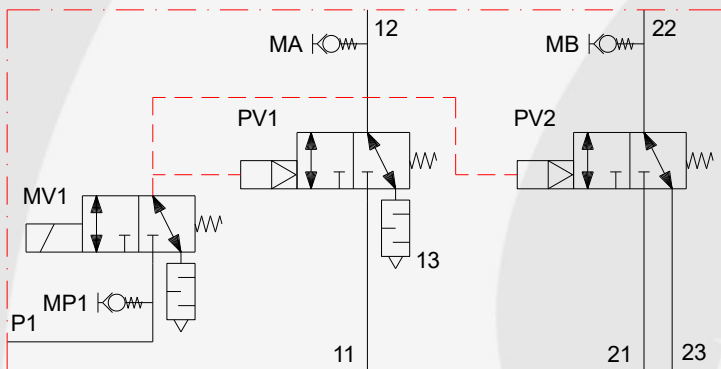
### Image



### Technical features

- Suitable for double acting (DA) actuator
- Fail safe open/close function (1x NC, power/signal loss)
- Modulating (MO 1x NC) function
- Open/close (O/C 1x NC) function
- SIL2 certified according to IEC 61508
- Operation pressure 0...10 bar (0...145psi)
- Operation temperature -25°C -13°F / +70°C +158°F
- Supplied medium air, filtered non-lubricated and dry
- ATEX implementation suitable

### Symbol



### Technical data

#### Sizes & selection

Port size)		Max flow		Model		
12/22	11/13/21/23	P1	ltr/min	CV (kg)		
G1	G1	G1/4	8.000	...	5.4	UGP100065

#### Configuration

Function MO (1x NC "MV1")  
O/C (1x NC "MV1")

#### Connections

Port (P1) external supply connection  
Port (12/22) supply to actuating  
Port (11/13/21/23) supply or release  
MA/MB/MP1 measurement connection

#### Electric

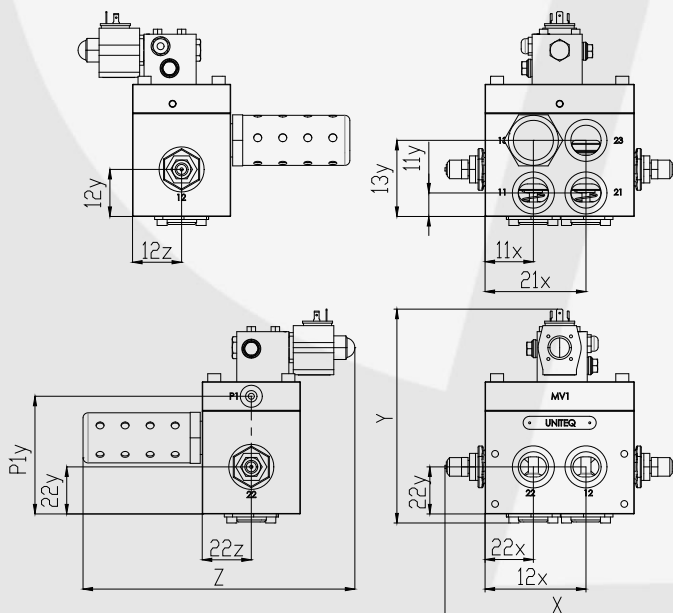
Power consumption solenoid valve (MV1):

16.9 W, 24 VDC, 703 mA, IP65.  
17.3 VA 230 VAC, 75 mA IP67.

#### Order codes:

UGP100065-24VDC or UGP100065-230VAC

### Drawing



### Sizes

#### Dimensions

11	12	13	21	22	23	P1
G1	G1	G1	G1	G1	G1	G1/4
MP1	MA	MB	13y	12x	11x	21X
G1/4	G1/4	G1/4	76	101	48	101
11y	12y	12z	22y	22x	22z	
24	47	49	47	48	49	
X	Y	Z				
149	203	217				

#### Support connection manifold

4 times holes M8, depth 12mm

#### Material

Housing Aluminium anodize  
Internal parts Stainless steel, Brass, POM  
Seals NBR / PUR



# UGP100066

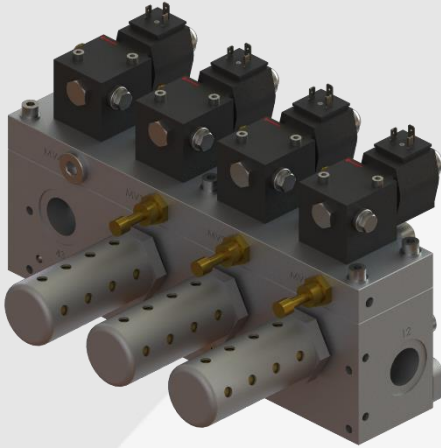
**UNITEQ BV**

Oude Graaf 18, 6002 NL, Netherlands  
 T. +31 495 52 45 65  
 E. sales@unieq.nl

Version 2022.v01 EN

## Pneumatic manifold G1-1oo3-MO 3xNC-O/C 1xNC

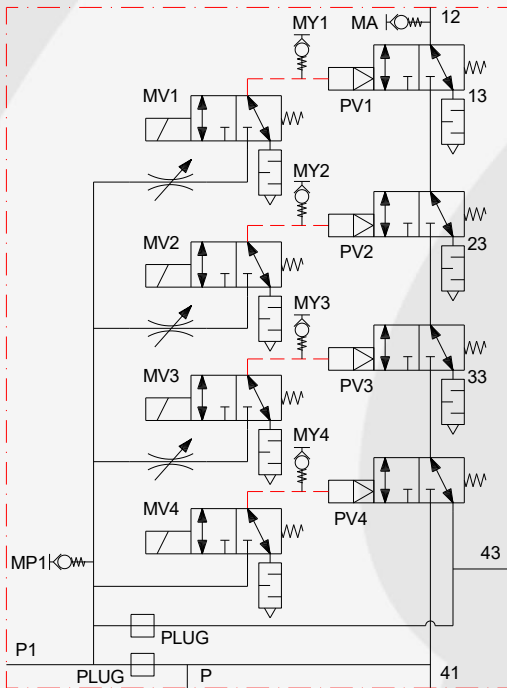
### Image



### Technical features

- Suitable for single acting (SA) actuator
- Fail safe open/close function, 1oo3 (3x NC, power/signal loss)
- Modulating MO (3x NC, 1xNC) function
- Quick open/close O/C (1x NC) function
- SIL3 certified according to IEC 61508
- Suitable for EN1295-10 (TRD421)
- Internal connection prepared for lock-up function
- Operation pressure 0...10 bar (0...145psi)
- Operation temperature -25°C -13°F / +70°C +158°F
- Supplied medium air, filtered non-lubricated and dry
- Equipped with prepared lock-up valve connection (P/P1)

### Symbol



### Technical data

#### Sizes & selection

Port size			Max flow		Model	
12/41/43	13/23/33	P/P1	ltr/min	CV	(kg)	
G1	G1	G1/4	8.000	...	14	UGP100066

#### Configuration

Function MO (3x NC "MV1/MV2/MV3")  
 O/C (1x NC "MV4")

#### Connections

Port (41) supply quick open/close  
 Port (P/P1) external supply solenoid valve  
 Port (12) supply to actuating  
 Port (13/23/33) release  
 Port (43) supply modulating  
 MA/MY/MP1 measurement connection

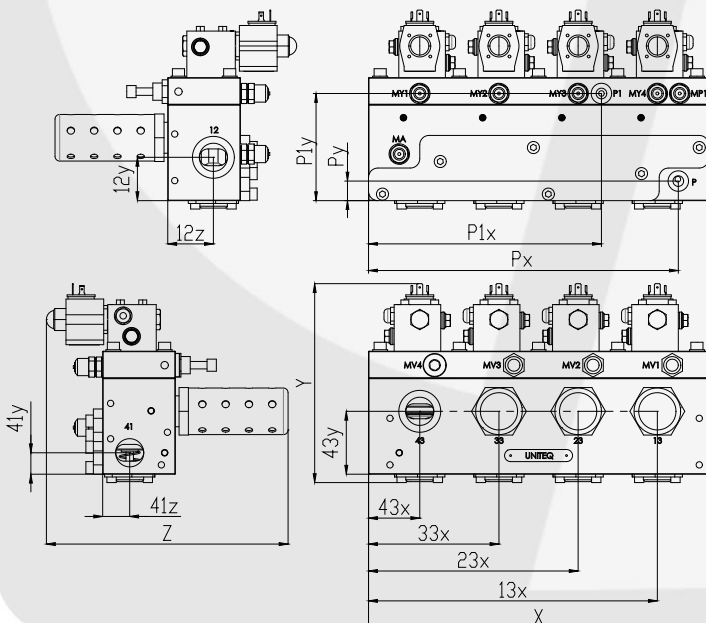
#### Electric

Power consumption solenoid valve (MV1/MV2/MV3/MV4):  
 16.9 W, 24 VDC, 703 mA, IP65.  
 17.3 VA 230 VAC, 75 mA IP67.

#### Order codes:

UGP100066-24VDC or UGP100066-230VAC

### Drawing



### Sizes

#### Dimensions

12	41	43	P	P1	MA	MY
G1	G1	G1	G1/4	G1/4	G1/4	G1/4
MP1	PLUG	12z	12y	43y	13x	23x
G1/4	G1/8	49	47	67	310	225
33x	P1y	Py	P1x	Px	41z	41y
140	117	21	250	332	29	23
43x	Z	X	Y			
55	253	365	202			

#### Support connection manifold

4 times holes M8, depth 12mm

#### Material

Housing Aluminium anodize  
 Internal parts Stainless steel, Brass, POM  
 Seals NBR / PUR







# UGP100074

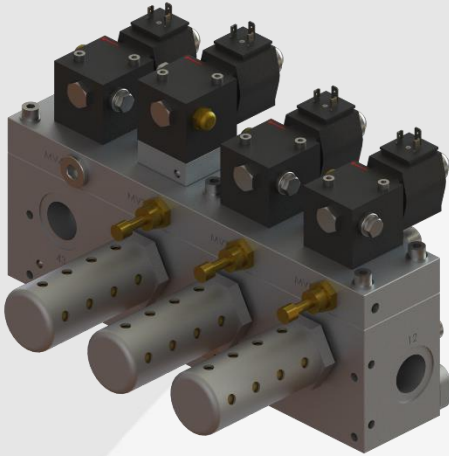
**UNITEQ BV**

Oude Graaf 18, 6002 NL, Netherlands  
T. +31 495 52 45 65  
E. sales@unieq.nl

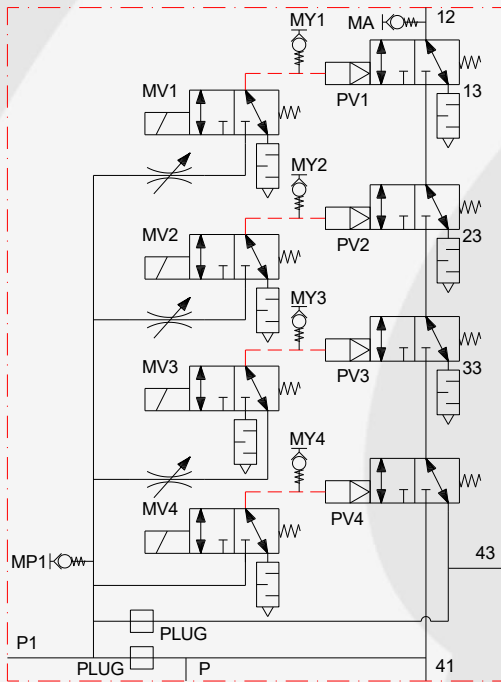
Version 2022.v01\_EN

## Pneumatic manifold G1-1oo3-MO 2xNC 1xNO-O/C 1xNC

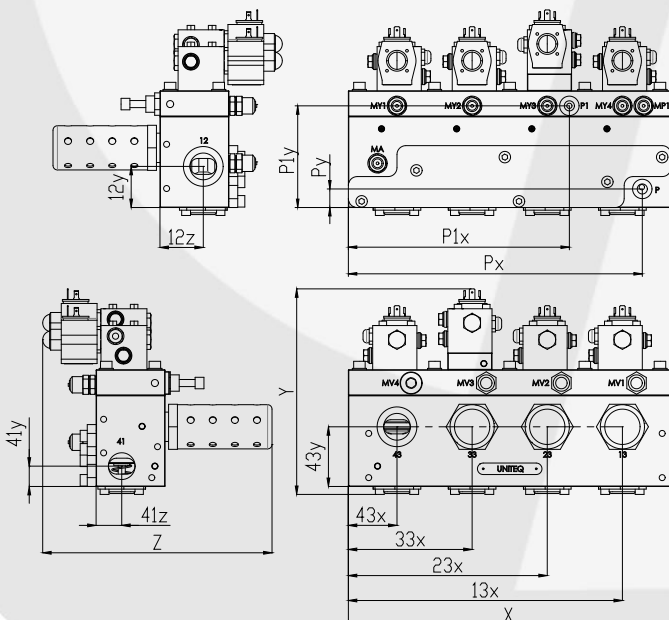
### Image



### Symbol



### Drawing



### Technical features

- Suitable for single acting (SA) actuator
- Fail safe close/open function, 1oo3 (2x NC, 1xNO, power signal loss)
- Modulating (MO 2x NC, 1xNO) function
- Quick open/close (O/C 1x NC) function
- SIL3 certified according to IEC 61508
- Suitable for EN1295-10 (TRD421)
- Internal connection prepared for lock-up function
- Operation pressure 0...10 bar (0...145psi)
- Operation temperature -25°C -13°F / +70°C +158°F
- Supplied medium air, filtered non-lubricated and dry
- Equipped with prepared lock-up valve connection (P/P1)
- ATEX implementation suitable

### Technical data

#### Sizes & selection

Port size	Max flow ltr/min	Model	CV (kg)			
			12/41/43	13/23/33		
G1	G1	G1/4	8.000	...	14	UGP100066

#### Configuration

Function MO (2x NC "MV1/MV2" 1xNO "MV3")  
O/C (1x NC "MV4")

#### Connections

Port (41) supply quick open/close  
 Port (P/P1) external supply solenoid valve  
 Port (12) supply to actuating  
 Port (13/23/33) release  
 Port (43) supply modulating  
 MA/MY/MP1 measurement connection

#### Electric

Power consumption solenoid valve (MV1/MV2/MV3/MV4):  
 16.9 W, 24 VDC, 703 mA, IP65.  
 17.3 VA 230 VAC, 75 mA IP67.

#### Order codes:

UGP100074-24VDC or UGP100074-230VAC

### Sizes

#### Dimensions

12	41	43	P	P1	MA	MY
G1	G1	G1	G1/4	G1/4	G1/4	G1/4
MP1	PLUG	12z	12y	43y	13x	23x
G1/4	G1/8	49	47	67	310	225
33x	P1y	Py	P1x	Px	41z	41y
140	117	21	250	332	29	23
43x	Z	X	Y			
55	253	365	202			

#### Support connection manifold

4 times holes M8, depth 12mm

#### Material

Housing Aluminium anodize  
 Internal parts Stainless steel, Brass, POM  
 Seals NBR / PUR





# UGP100083

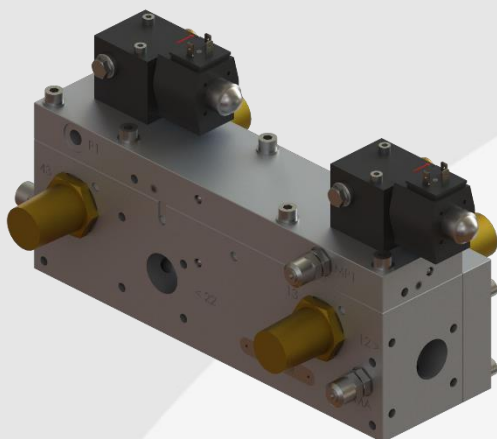
**UNITEQ BV**

Oude Graaf 18, 6002 NL, Netherlands  
T. +31 495 52 45 65  
E. sales@unieq.nl

Version 2022.v01 EN

## Pneumatic manifold G1-MO 1xNC-O/C 1xNC

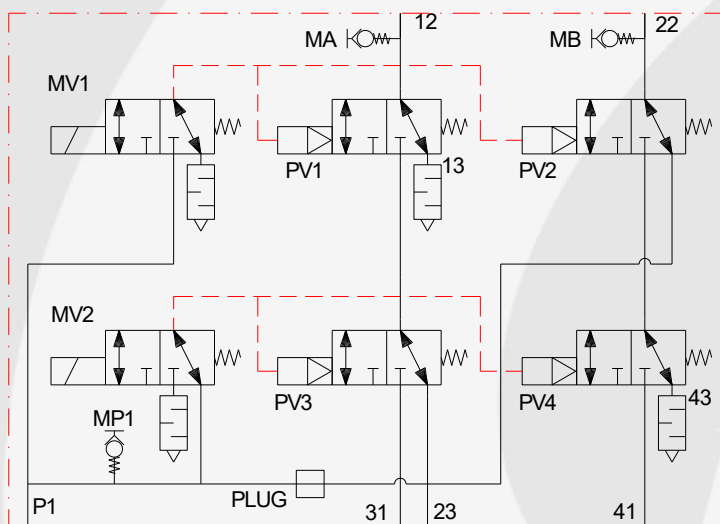
### Image



### Technical features

- Suitable for double acting (DA) actuator
- Fail safe open/close function (1x NC, power/signal loss)
- Modulating MO (1x NC) function
- Open/close O/C (1x NC) function
- SIL2 certified according to IEC 61508
- Operation pressure 0...10 bar (0...145psi)
- Operation temperature -25°C -13°F / +70°C +158°F
- Supplied medium air, filtered non-lubricated and dry
- Equipped with prepared lock-up valve connection (P/P1)
- ATEX implementation suitable

### Symbol



### Technical data

#### Sizes & selection

Port size		P1	Max flow		Model	
12/22	31/23/41/43		ltr/min	CV (kg)		
G1	G1	G1/4	8.000	...	8.9	UGP100083

#### Configuration

Function: MO (1x NC "MV1")  
O/C (1x NC "MV2")

#### Connections

Port (12/22): supply actuating  
Port (13/43): release  
Port (31/41): supply modulating connection  
Port (P1): external supply solenoid valve  
Port (23): supply to actuating  
MA/MB/MP1: measurement connection

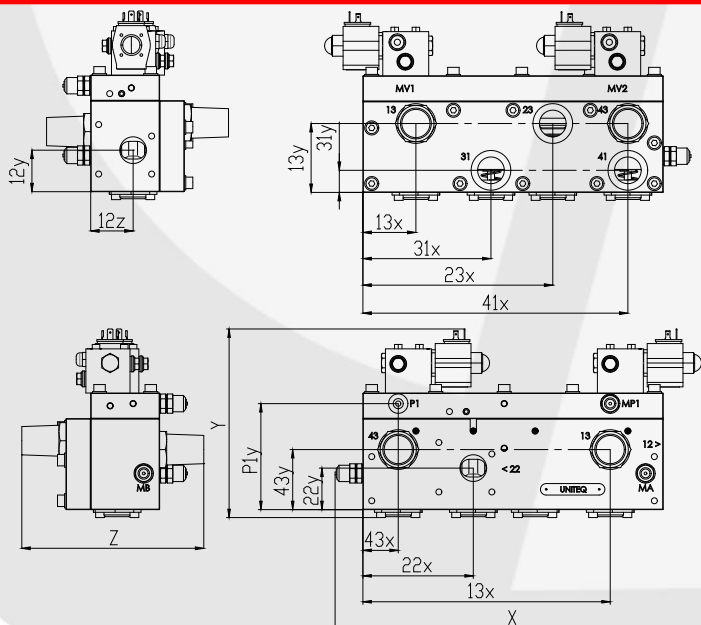
#### Electric

Power consumption solenoid valve (MV1/MV2):  
16.9 W, 24 VDC, 703 mA, IP65.  
17.3 VA, 230 VAC, 75 mA, IP67.

#### Order codes:

UGP100083-24VDC or UGP100083-230VAC

### Drawing



### Sizes

#### Dimensions

12	13	22	23	31	41	43	P1	MP1
G1	G1	G1	G1	G1	G1	G1	G1/4	G1/4
MA	MB	PLUG	12y	12x	13y	31y	13x	31x
G1/4	G1/4	G1/8	47	48	78	25	60	145
23x	41x	P1y	43y	22y	43x	22x	13x	
215	300	120	68	47	40	125	280	
X	Y	Z						
374	213	206						

#### Support connection manifold

4 times holes M8, depth 12mm

#### Material

Housing: Aluminium anodize  
Internal parts: Stainless steel, Brass, POM  
Seals: NBR / PUR



# UGP100086

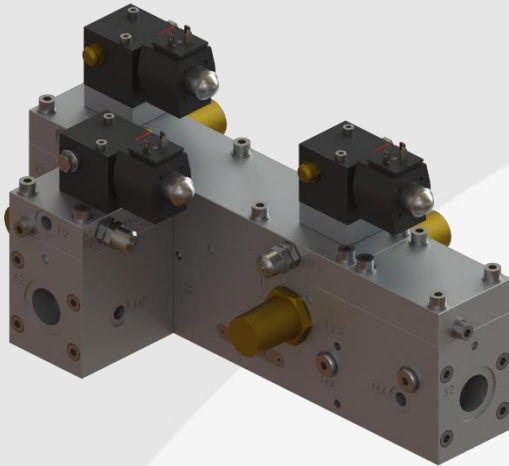
**UNITEQ BV**

Oude Graaf 18, 6002 NL, Netherlands  
T. +31 495 52 45 65  
E. sales@unieq.nl

Version 2022.v01 EN

## Pneumatic manifold G1-MO 1xNO-O/C 1xNO-LU 1xNC

### Image



### Technical features

- Suitable for double acting (DA) actuator
- Fail safe lock-up function (1x NC, power/signal loss)
- Modulating MO (1x NO) function
- Open/close O/C (1x NO) function
- Lock-up LU (1x NC) function
- SIL2 certified according to IEC 61508
- Operation pressure 0...10 bar (0...145psi)
- Operation temperature -25°C -13°F / +70°C +158°F
- Supplied medium air, filtered non-lubricated and dry
- Equipped with prepared lock-up valve connection (P/P1)
- ATEX implementation suitable

### Symbol

### Technical data

#### Sizes & selection

Port size		Max flow		Model	
52/62	23/31/41/43	P1	ltr/min	CV	(kg)
G1	G1	G1/4	8.000	...	9.9

#### Configuration

Function  
 LU (1x NC "MV3")  
 MO (1x NO "MV1")  
 O/C (1x NO "MV2")

#### Connections

Port (52/62) supply actuating  
 Port (13/43) release  
 Port (31/41) supply modulating connection  
 Port (P1) external supply solenoid valve  
 Port (23) supply to actuating  
 MA/MB/MP1/MP2 measurement connection

#### Electric

Power consumption solenoid valve (MV1/MV2/MV3):  
 16.9 W, 24 VDC, 703 mA, IP65.  
 17.3 VA 230 VAC, 75 mA IP67.

#### Order codes:

UGP100086-24VDC or UGP100086-230VAC

### Sizes

#### Dimensions

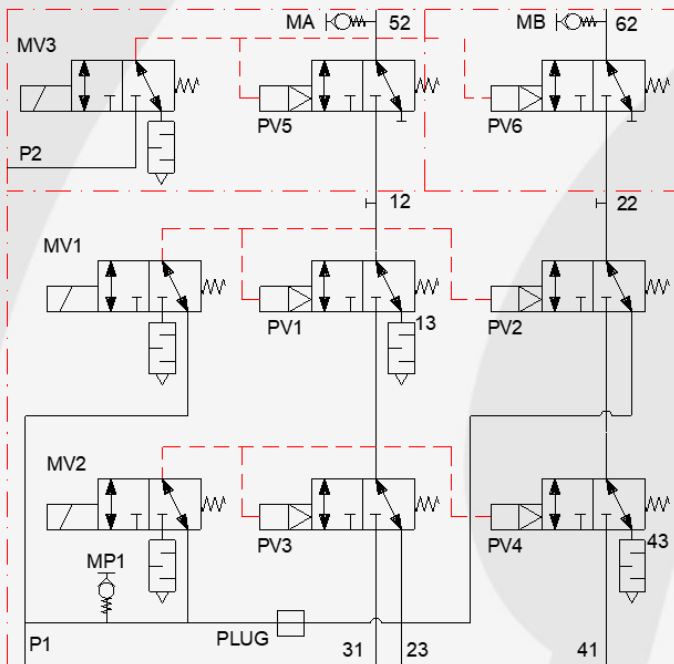
52	62	13	31	23	41	43	P1	P2
G1	G1	G1	G1	G1	G1	G1	G1/4	G1/4
MA	MB	MP1	MP2	P1y	52y	52z	13y	31y
G1/4	G1/4	G1/4	G1/4	120	47	137	78	25
31y	13x	31x	23x	41x	43y	62y	43x	62x
25	158	243	313	398	68	47	40	116
31x	X	Y	Z					PLUG
243	438	206	254					G1/8

#### Support connection manifold

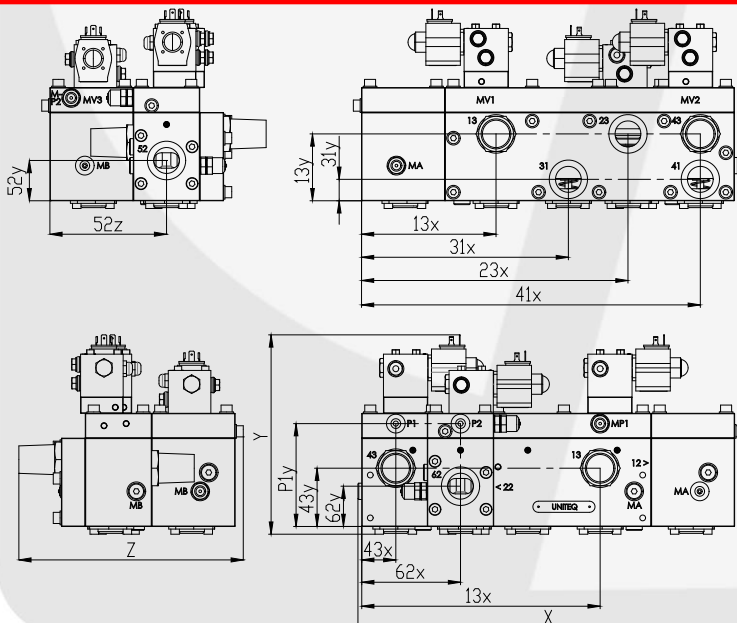
4 times holes M8, depth 12mm

#### Material

Housing Aluminium anodize  
 Internal parts Stainless steel, Brass, POM  
 Seals NBR / PUR



### Drawing





***your solution partner***

## Company Profile

UniteQ is a independent private family owned company which was established in 1991. We are a manufacturer of hydraulic and pneumatic actuating systems for various industrial applications. All your products are produced in a sustainable and, since 2020, an energy-neutral way.



UniteQ Engineering B.V.  
Oude Graaf 18  
6002 NL Weert NL  
Tel: +31(0)495-524565  
e-mail: [info@uniteq.nl](mailto:info@uniteq.nl)

[www.uniteqhydraulics.com](http://www.uniteqhydraulics.com)

